



GripKitDolly

The GripKitDolly

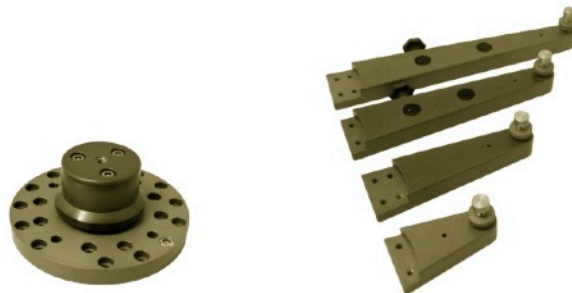
Expanding the Grip Kit system to provide a lightweight, tracking dolly function for standard or narrow guage dolly track (62cm / 24.5" or 38cm / 15") requires regular Grip Kit components i.e.

Bazooka Base Centre Plate,
4 x Extra Long Legs 41cm / 16"
4 x 4 Skateboard Wheels.

By using the 21cm / 8" legs the base can be fitted to narrow guage track.

A, 2 part, hard coated aluminium platform is available for standard track whereas a 1 part platform can be used for narrow guage. A turnstile mount is also available in addition to the standard Euro-adaptor mount.

The skateboard wheels, designed and produced by GFM, offer a smooth and easy tracking movement enhancing the Grip Kit's use as a multi-functional rigging tool.



Bazooka Base Centre Plate
AL-1500

Extension legs 12, 21, 31 & 41cm
AL-1501, 1502, 1503, 1508



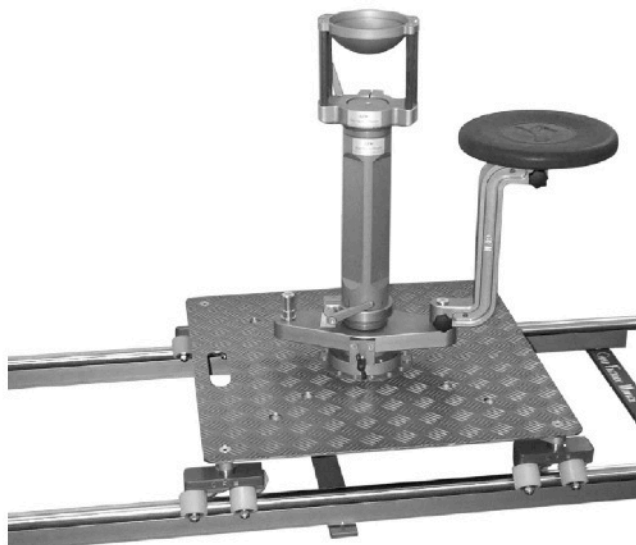
Skateboard wheels with
connection bolt AL-1510



Studio wheel
AL-1520



GripKitDolly with seat and riser



GripKitDolly with turnstile mount, seat and riser



Grip Factory
Munich GmbH

Fürholzener Straße 1
85386 Eching bei München
Germany

Tel.: 089 - 319 01 29 - 0
Fax: 089 - 319 01 29 - 9

Email: info@g-f-m.net
<http://www.g-f-m.net>